



**SPARE PARTS CATALOGUE
ERSATZTEILKATALOG
CATALOGUE PIECES DETACHEES
CATALOGO PARTI RICAMBIO
CATALOGO DE PIEZAS DE RECAMBIO
CATALOGO PECAS, DE REPOSICAO**

Catalogo parti di ricambio valido
dalla matricola 2823239 ad oggi (17/11/2021)

Catalogue pieces detachees
du numero de Série n. 2823239 jusqu'à aujourd'hui (17/11/2021)

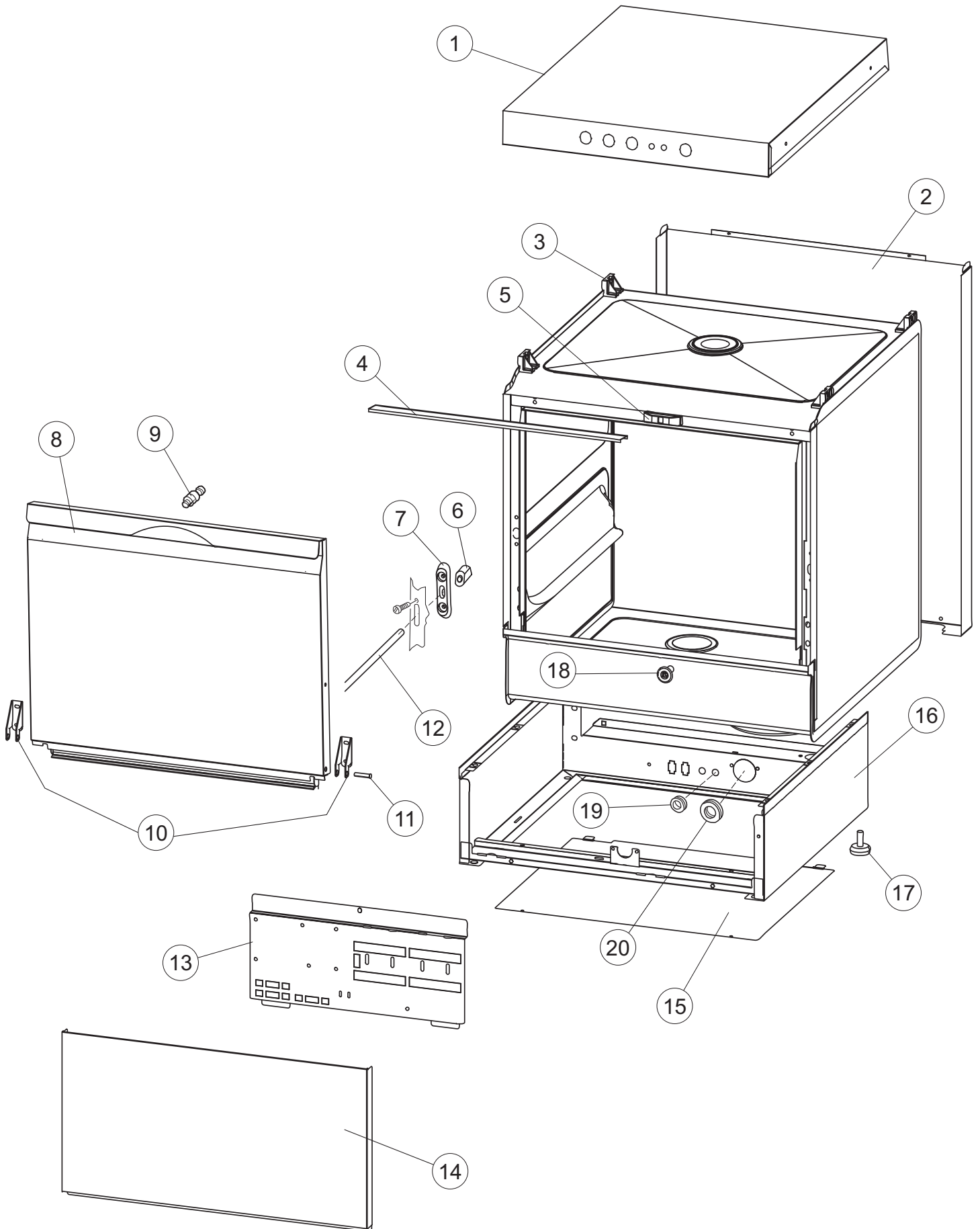
Ersatzteilkatalog
gültig ab Serien-Nr. 2823239 bis heute (17/11/2021)

Spare parts catalogue
valid from serial no. 2823239 up today (17/11/2021)

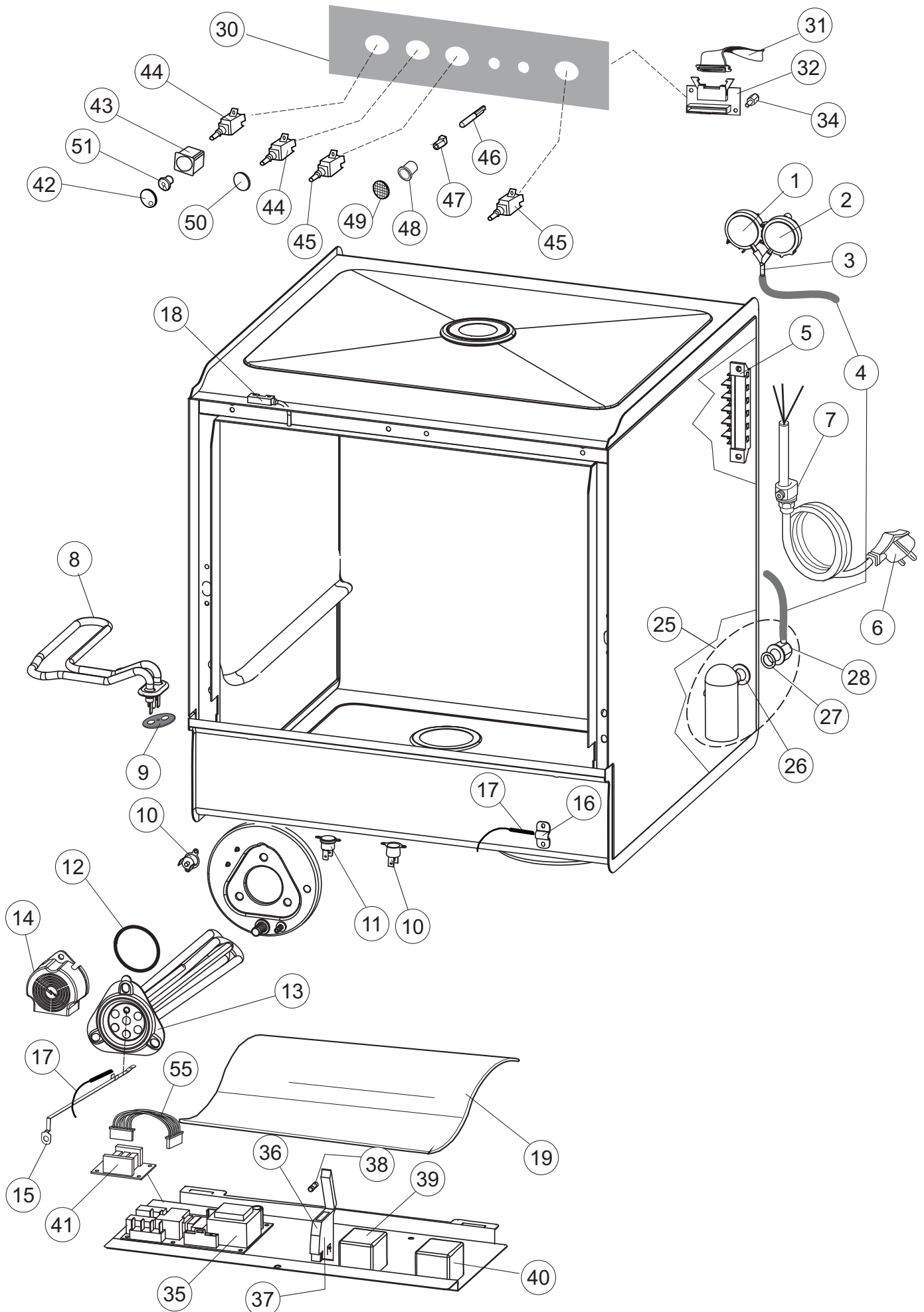
Catálogo de peças de reposição
válido do número de série 2823239 até hoje (17/11/2021)

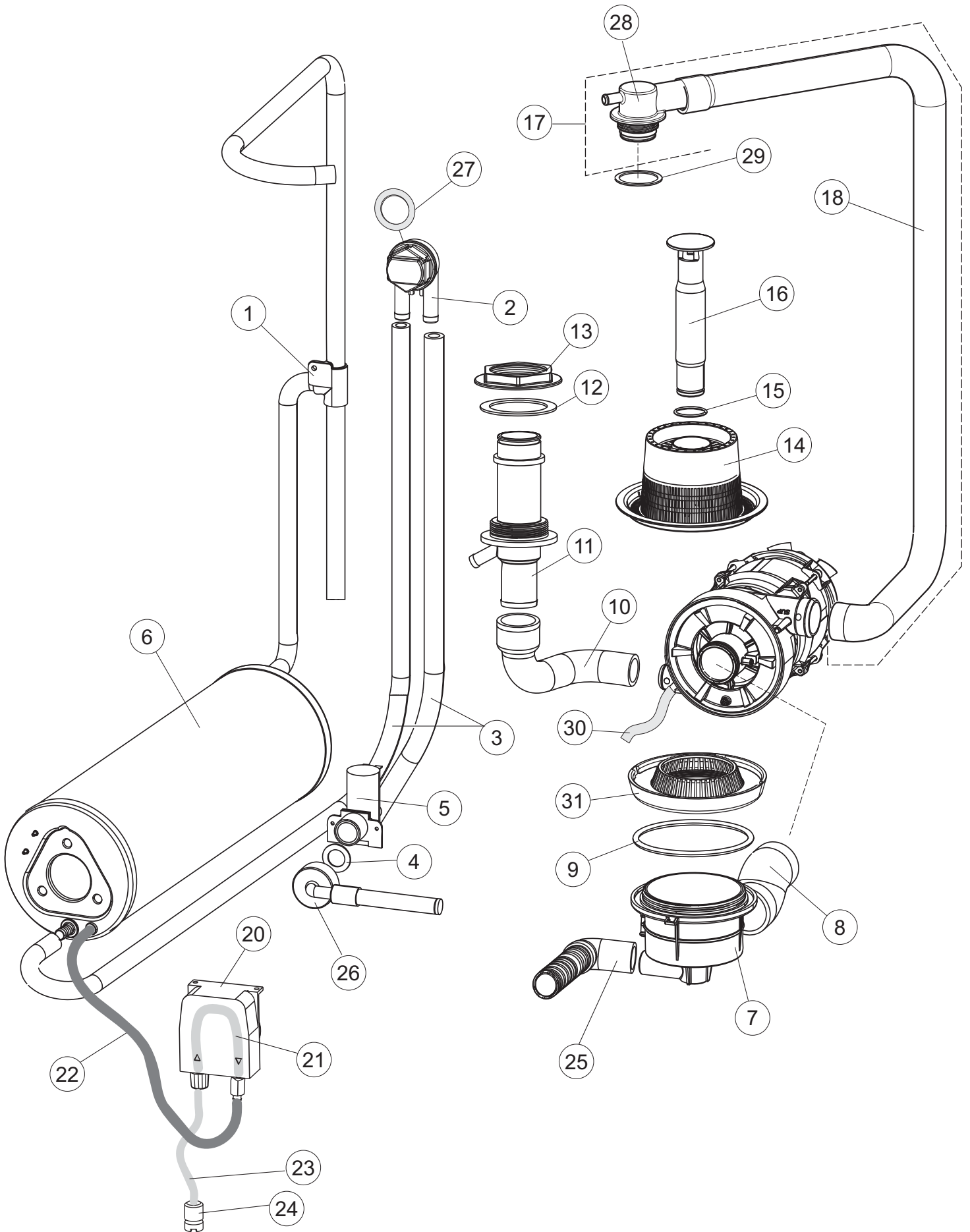
P3250

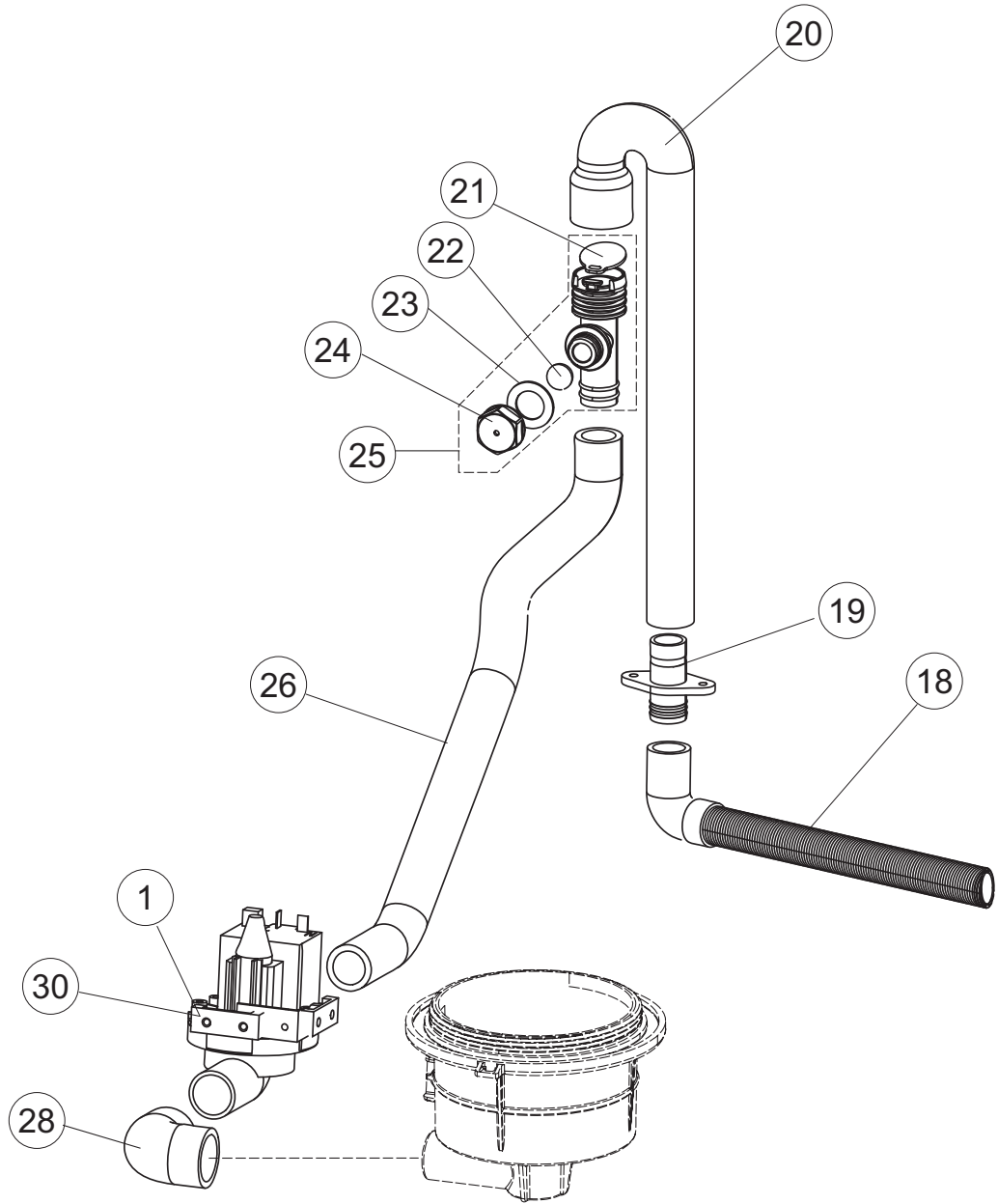
1



2



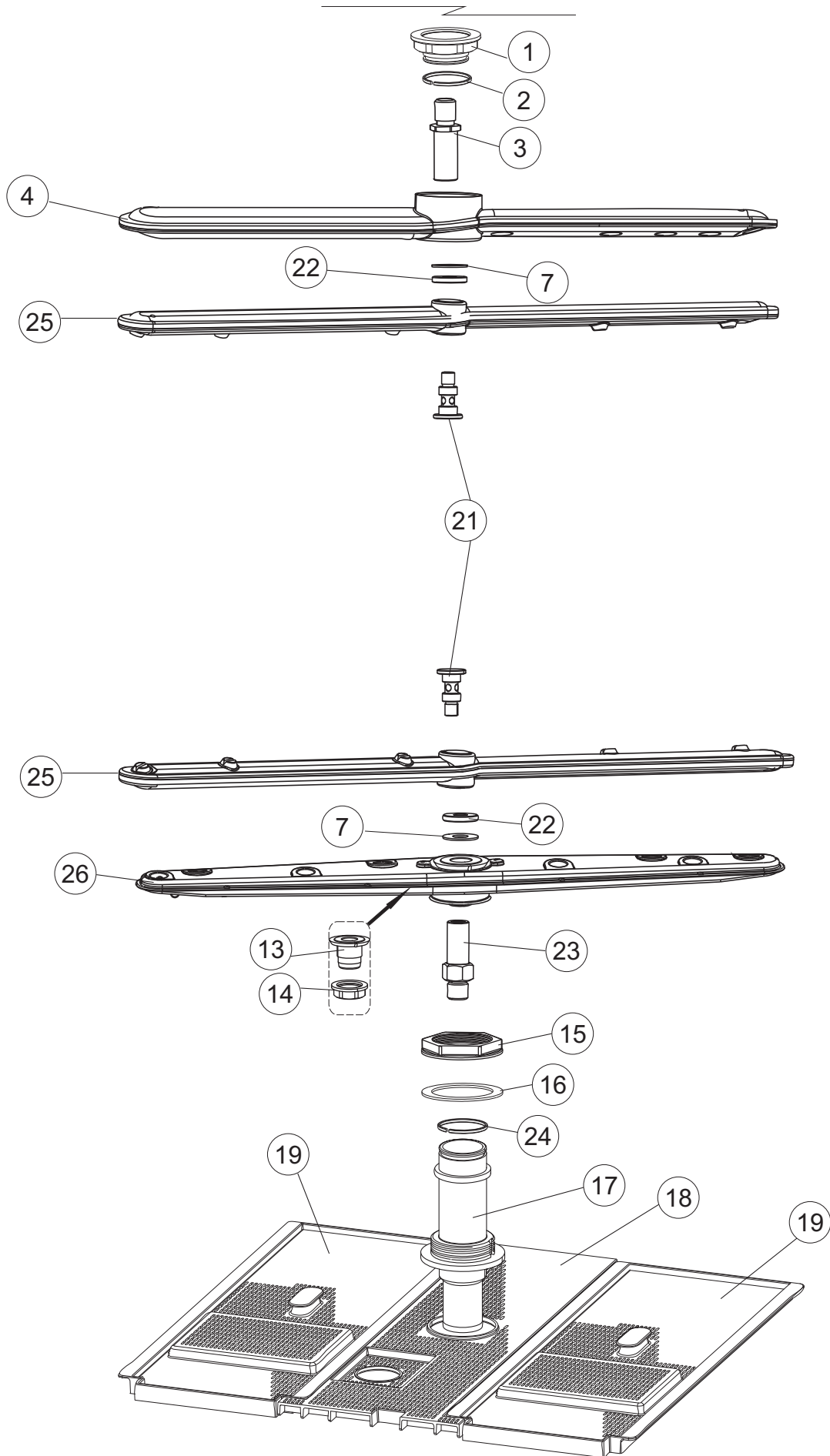




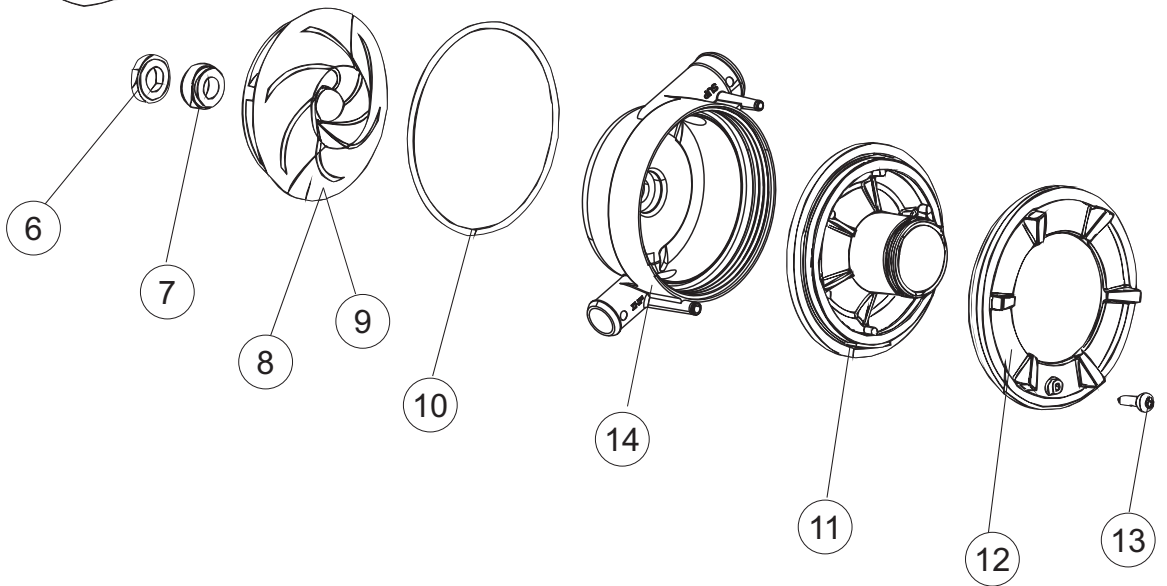
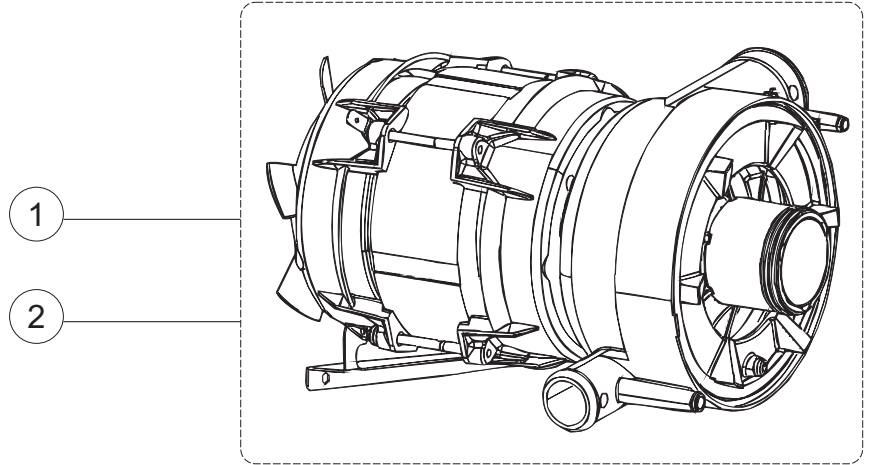
Drain pump

P3250BD

5



6



(*) Recommended spare part.

Page	Spare part position	Spare part code no.	Old code number	Description	U.m.
1	1	004246		COVER	NR
1	2	022159		BACK PANEL	NR
1	3	035113		SUPPORT BRACKET	NR
1	4	437081		DOOR GASKET 50/505	NR
1	5	994012		DOOR LOCK FOR DISHWASHERS	NR
1	6	417041		DOOR CLOSING CONTACT BETA 50 (S6198)	NR
1	7	307003		NUT OF TOP DOOR-STOP BAR	NR
1	8	029728		DOOR,	NR
1	9	325066		DOOR CLOSURE STAKE FOR GLASSWASHERS	NR
1	10	311019		DOOR HINGE D18/G25 (S6662)	NR
1	11	325036		PIVOT	NR
1	12	304021		DOOR TIE ROD FOR DISHWASHER (S6323)	NR
1	13	035112		WIRING PANEL	NR
1	14	012338		FRONT PANEL	NR
1	15	030195		UNDERPROTECTION FOR BASIS OF GLASS- WASHER	NR
1	16	040123		BASE FRAME LA500	NR
1	17	461019		HEXAGONAL FOOT ADJUSTABLE FOR DISHWASHER	NR
1	18	480153		PLUG	NR
1	19	459006		CHOCK D INT 9 EST 16	NR
1	20	459004		DRAIN PUMP CHOCK	NR
2	1	224004		PRESSURE SWITCH 35/17	NR
2	2	224029		PRESSURE SWITCH	NR
2	3	035031		Y-PIPE - PRESSURE SWITCH CONNECTION	NR
2	4	143013		PIPE	MT
2	5	220011		TERMINAL BLOCK	NR
2	6	299040		PLUG SCHUCKO 90- CABLE 1=2,5 MT	NR
2	7	459005		CABLE-RETAINER	NR
2	8	230118		TANK HEATING ELEMENT	NR
2	9	437086		PACKING OF THE TANK RESISTANCE	NR
2	10	236047		SAFETY TANK THERMOSTAT 95C	NR
2	11	236052		THERMOSTAT 90+/-3C	NR
2	12	456002		O-RING	NR

(*) Recommended spare part.

Page	Spare part position	Spare part code no.	Old code number	Description	U.m.
2	13	230116		BOILER HEATING ELEMENT	NR
2	14	69870		BOILER HEATING ELEMENT PROTECTION	NR
2	15	69871		PROBE HOLDER	NR
2	16	028105		FIXING PLATE	NR
2	17	231016		TEMPERATURE PROBE	NR
2	18	80871		MAGNETIC DOOR SWITCH	NR
2	19	214114		TRANSPARENT PROTECTION FOR ELECTRIC INSTALLATION FOR DISHWASHER	NR
2	25	984007		CONTROL GROUP THE LEVEL OF WATER	NR
2	26	437019		PACKING FOR AIR TRAP OF PRESSURE SWITCH	NR
2	27	456020		O-RING	NR
2	28	468029		AIR TRAP CONNECTION OF PRESSURE SWITCH	NR
2	30	026492		CONTROL ADHESIVE INTERFACE	NR
2	31	211013		FLAT WIRE	NR
2	32	215037		MECHANICAL INTERFACE BOARD	NR
2	34	419040		INTERFACE BOARD DISTANCE KEEPERS	NR
2	35	215034-3		MAIN BOARD	NR
2	36	210010		FUSE-HOLDER	NR
2	37	210011		PLATE	NR
2	38	228010		FUSE	NR
2	39	229029		RELAY	NR
2	40	229039		RELAY	NR
2	41	215036		EXPANSION CARD FOR ADD-ONS	NR
2	42	227065		PART NUMBER NO LONGER AVAILABLE	
2	43	226126		PUSH BUTTON CASE	NR
2	44	208010		DOUBLE SWITCH	NR
2	45	226071		CYCLE PUSH-BUTTON - 2 CONTACTS	NR
2	46	216033		LAMP	NR
2	47	299035		PILOT LAMP SUPPPORT	NR
2	48	226110		PART NUMBER NO LONGER AVAILABLE	
2	49	207018		PART NUMBER NO LONGER AVAILABLE	
2	50	227064		BUTTON	NR
2	51	409003		2 COLOURS CAM	NR

(*) Recommended spare part.

Page	Spare part position	Spare part code no.	Old code number	Description	U.m.
2	52	203424		WIRING	NR
3	1	143263		PIPE	NR
3	2	144030		NO RETURN VALVE	NR
3	3	143004		PIPE	MT
3	4	437041		GASKET	NR
3	5	240011		FILL VALVE	NR
3	6	104060		BOILER	NR
3	7	136030		ASPIRATION AND DRAIN BODY	NR
3	8	127082		DELIVERY WASH HOSE	NR
3	9	456076		O-RING	NR
3	10	127085		DELIVERY WASH HOSE	NR
3	11	115143		MAINFOLD	NR
3	12	437102		GASKET	NR
3	13	429073		RING NUT	NR
3	14	121120		STAINER	NR
3	15	456081		O-RING	NR
3	16	142058		OVERFLOW PIPE	NR
3	17	115150		MAINFOLD	NR
3	18	127133		DELIVERY WASH HOSE	NR
3	20	209037		PRICE TO BE DEFINED (PART NR. REPLACED BY 209034)	
3	20	209034		RINSE AID-DISPENSER	NR
3	21	143266		PIPE	NR
3	22	143005		LINEN RUBBER PIPE 5X12 - BLACK	MT
3	23	H.775601		PIPE	MT
3	24	121993		FILTER AID DISPENSER	NR
3	25	143252		DRAIN HOSE	NR
3	26	143270		INLET WRAS PIPE	NR
3	27	437080		GASKET	NR
3	28	115149		SUPPORT ARMS WASH / RINSE	NR
3	29	437113		GASKET	NR
3	30	H.165168		PIPE	MT
3	31	429072		RING NUT	NR

(*) Recommended spare part.

Page	Spare part position	Spare part code no.	Old code number	Description	U.m.
4	1	130175		DRAIN PUMP	NR
4	18	143137		DRAIN HOSE	NR
4	19	468152		DRAIN CONNECTION FOR DISHWASHERS SERIE	NR
4	20	127136		SLEEVE	NR
4	21	499092		DIAPHRAGM VALVE VENT	NR
4	22	476008		SPHERE	NR
4	23	437083		GASKET	NR
4	24	468199		PIPE FITTING	NR
4	25	144992		NO RETURN VALVE	NR
4	26	127135		SLEEVE	NR
4	28	127134		SUCTION PIPE	NR
5	1	429079		RING NUT	NR
5	2	303040		RING	NR
5	3	325097		PIVOT	NR
5	4	129076		COMPLETE WASH ARM	NR
5	7	437117		WASHER	NR
5	13	417111		UNION NUT WASH/RINSE ARM	NR
5	14	308031		RING NUT	NR
5	15	429073		RING NUT	NR
5	16	437102		GASKET	NR
5	17	115143		MAINFOLD	NR
5	18	121145		STAINER	NR
5	19	121139		STAINER	NR
5	21	80700		PIVOT	NR
5	22	80697		RING NUT	NR
5	23	325070		EXTENSION FOR STUD	NR
5	24	303040		RING	NR
5	25	129080		COMPLETE RINSE ARM	NR
5	26	80345		WASH ASSEMBLY	NR
6	1	130977		WASH-BODY UNIT AND PUMP (130174)LA500 50HZ	NR
6	3	335015		WASHPUMP FUN	NR
6	4	206002		CAPACITOR	NR

(*) Recommended spare part.

Page	Spare part position	Spare part code no.	Old code number	Description	U.m.
6	6	141008		WASHPUMP SHAFT SEAL	NR
6	7	141009		WASHPUMP SHAFT SEAL	NR
6	8	124057		ELECTROPUMP IMPELLER	NR
6	10	456078		O-RING	NR
6	11	480159		PLUG	NR
6	12	429074		RING NUT	NR
6	13	486242		SCREW	NR
6	14	116032		ELECTROPUMP HOUSING	NR